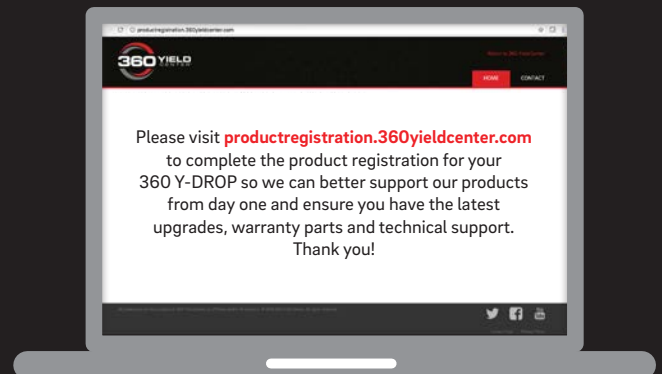




INSTRUCTIONS 360 Y-DROP®

HAGIE HYBRID BOOM

360 Y-DROP® REGISTRATION



360YIELDCENTER.COM

V3 - 1.30.2018



INSTRUCTIONS

360 Y-DROP

HAGIE HYBRID BOOM

⊕ INTRODUCTION

+ Before beginning, it's important to know where each mounting bracket fits relative to the row spacing involved. The 360 Y-DROP unit should be precisely centered on the machine, as this is critical to the assembly of the system to the sprayer and for mounting the system to your sprayer boom. There are, however, many boom variations among all sprayer models. Your sprayer may not be identical to the model in the following steps of the guide, and the pictures may not exactly reflect your model. While these steps will help you install most of your 360 Y-DROP system, you may need to custom-fit some components with your particular boom.

⊕ RECOMMENDED TOOLS

- + Ratchet wrench with 1/2" and 9/16" deep well sockets
- + 3/8" 12-point socket
- + 1/2" and 9/16" combination wrenches
- + #2 Phillips screwdriver (for the shield installation)

⊕ TORQUE VALUES

+ Refer to these torque values when tightening all fasteners

+ 5/16" stainless	U-bolt	15 ft/lbs
+ 5/16" stainless	Set screw	15 ft/lbs
+ 3/8" carbon	U-bolt	35 ft/lbs
+ 5/16" carbon	U-bolt	30 ft/lbs
+ 5/16" carbon	Stop bolt	30 ft/lbs

⊕ QUESTIONS

+ Call our Product Support team at 888-512-4890.

I. ESTABLISH DROP LOCATIONS

Figures 1 and 2

Step 1 Locate the center of the machine and identify the location of all the drops. On the sprayer boom, mark where each riser mount will be located. This will ensure that the extension tubes will not interfere with the riser mounts.

Figure 3

Step 2 For the primary boom; starting at the wing fold pivot pin, measure out and make marks at 25", 70", 116", 190" and 265" (all measurements are ± 5 "). Repeat for the other primary boom.

NOTE OEM mount bracket kits 417127 must be used at the first mounting location (25"). OEM mount bracket kits 417126 must be used at mounting locations 2-5 (70", 116", 190", and 255").

Figure 4

NOTE When installing the OEM mount brackets, avoid installation on the cross bracing as the welds will prevent flush insallation of the mount brackets.

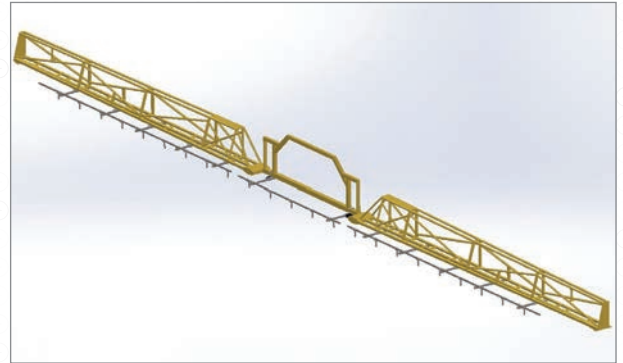


Figure 1



Figure 2

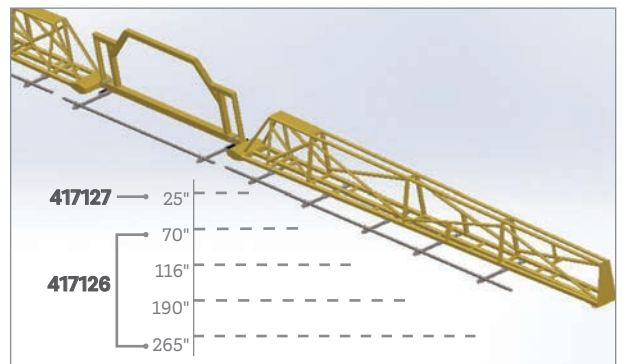


Figure 3



Figure 4

II. INSTALL MOUNT ASSEMBLIES ON THE OEM PRIMARY BOOM

Figure 5

To prepare for the steps that follow, you will need to drill two 7/16" holes at mounting location 1 (25" +/-5" from the pivot pin) on both OEM Primary booms (1). This will allow for the installation of the first mounting position of the square U-bolt on the front and rear OEM booms.

Step 1 With the threads pointing down, install U-bolt (2) on the top of the OEM primary boom.

Bag 417126 and Bag 417127

Step 2 Install bracket assembly (3) and flange lock nut (4).

Hardware Kit D

Figure 6, 7, & 8

NOTE: Due to the angle of the OEM mount bracket (seen in figure 6), the brackets (417126 and 417127) **must** be installed so that the angles slope toward each other. Another way to ensure proper installation is to check that the front bracket points towards the center and the rear bracket points away from the center.

Step 3 Install extension tube (5).

Step 4 Install boom bracket (6) onto the extension tube.

Step 5 Install square U-bolts (7), the 5/16" extra thick washers and the 5/16" nuts.

Hardware Kit A

Step 6 Install stop bolts (8) at both the front and the rear of the extension tube.

Hardware Kit B

Step 7 Install stainless steel set screw and jam nut assembly (9) onto the bracket assemblies.

Hardware Kit D

Repeat Steps 1-7 for the remaining mount assemblies on the OEM primary boom.

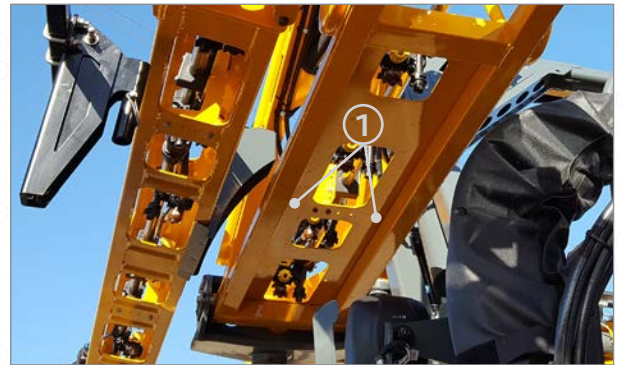


Figure 5



Figure 6



Figure 7

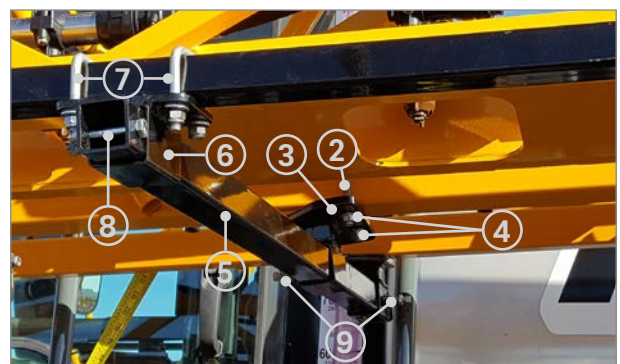


Figure 8

III. INSTALL CENTER SECTION SQUARE TUBE

NOTE: To avoid contact with the primary booms when raising the wing tips, install the 5ft boom section as close to the OEM boom as possible.

Figure 9

Step 1 Place 21" top plates (1) on top and bottom of the center section and install two bolts (2) with 3/8" washers on the front and rear.

Step 2 Install the 6" OEM mount brackets (3) and nuts on bottom of both bolts (2). Install carriage bolts and nuts (4) through bottom plate and OEM mount bracket on both the front and rear.

Step 3 Install extension tube (5) onto bracket assembly (3).

Figure 10

Step 4 Install boom bracket (6) onto extension tube.

Step 5 Install stainless steel set screw and jam nut assembly (7).

Figure 11

Repeat Steps 1-5 for the other side of the center section.

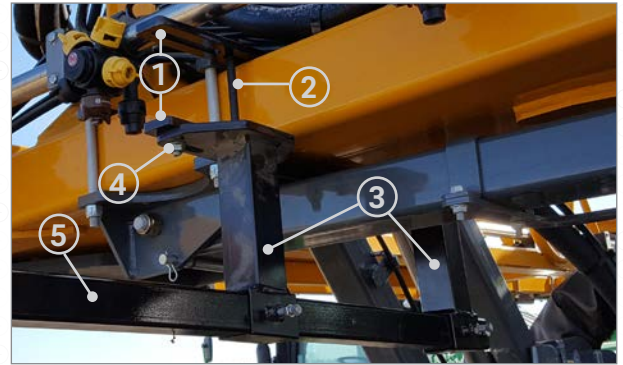


Figure 9



Figure 10



Figure 11

V.

INSTALL 360 Y-DROP BOOM

Figure 12

Step 1 Assemble 5' boom sections (1) using the 8" boom connectors (2) and the supplied hardware.

Hardware Bag CC

Step 2 Repeat Step 1 as needed in order to assemble the entire 360 Y-DROP boom.

Step 3 Set the 360 Y-DROP boom assembly onto boom bracket (3).

Repeat Steps 1 -3 for the remaining boom assemblies.



CAUTION: The 360 Y-DROP boom assembly may weigh up to 150 lbs. (68 kg). Exercise caution and enlist help for this process.

Figure 13

Step 4 In order to span the full length of the center section 360 Y-DROP boom, you will need to cut and drill one of the 5' boom sections to 1'. Mount this 1' section between two full 5' boom sections. Drill a 7/16" through hole centered 2" from the outside edge.

Figures 14 and 15

Step 5 Install square U-bolt (1), the 5/16" extra thick washers, and the 5/16" nuts over the 360 Y-DROP boom (2).

Hardware Kit A

Step 6 Install stop bolt (3) at both the front and the rear of the extension tube. Repeat for remaining stop bolts.

Hardware Kit B

Step 7 Install stainless steel set screw and jam nut assembly (4). See Figure 11 for detail. Repeat for the remaining mount assemblies on the primary boom.

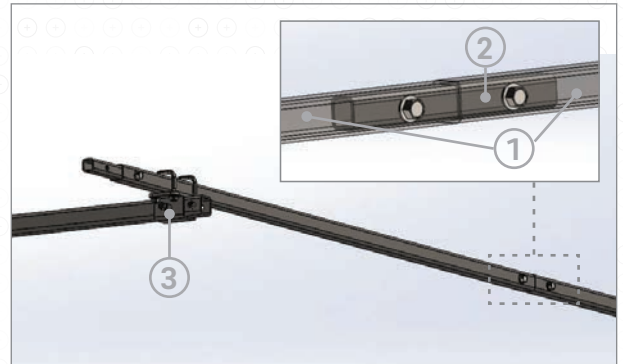


Figure 12



Figure 13

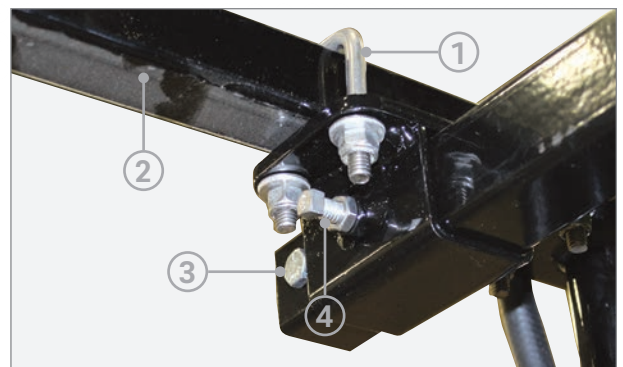


Figure 14

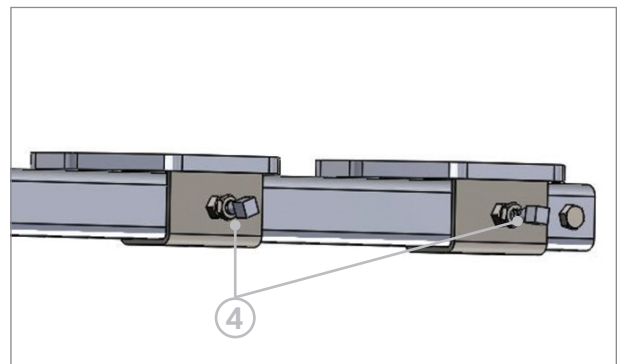


Figure 15

VI. INSTALL BREAKAWAY ASSEMBLY - ONE PIECE

Figure 16

Step 1 Install breakaway assembly - one piece (1) using the square U-bolts (2) and the extra thick washer and Nylock nut. Repeat for the remaining breakaway assemblies - one piece.

Hardware Kit C

Figure 17

Figure 17 may show more or fewer mounts than your installation. The alignment and quantity of the mounts will depend on your row spacing.

Figure 18

Step 2 Install riser tube assembly (1) into the breakaway assembly - one piece (2).

Step 3 Install pin (3).

Repeat Steps 2 and 3 for the remaining riser tube assemblies.

NOTE: Included in most sprayer mount packages are standard riser mounts to be used when primary booms are folded and in transport mode. These standard riser mounts should be mounted in locations that allow you to relocate the drops away from potential tire interference. See "Install Riser Mounts Without Breakaway Assemblies" section on next page for more instructions.

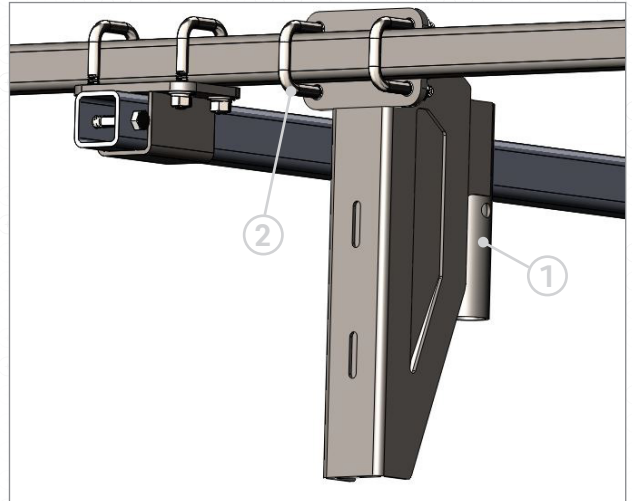


Figure 16

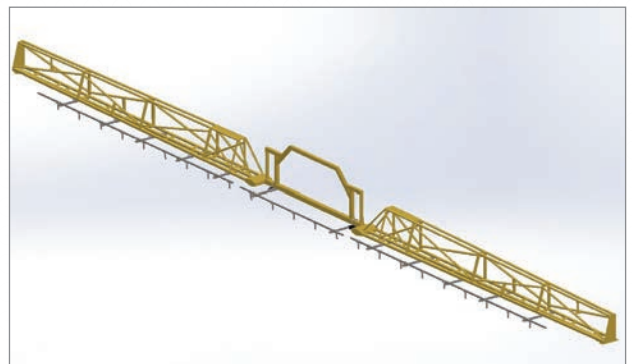


Figure 17

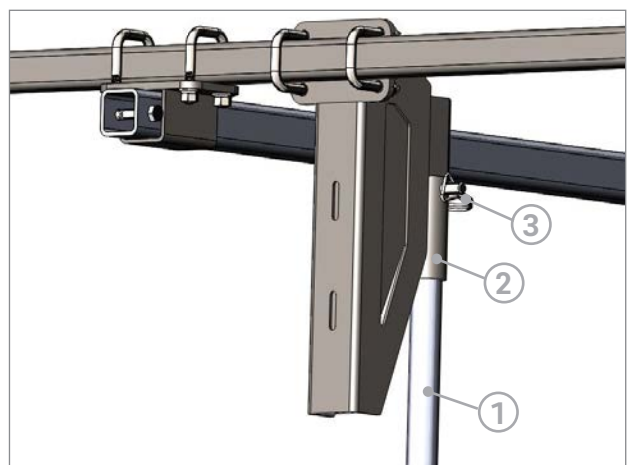


Figure 18

VI. INSTALL RISER MOUNTS WITHOUT BREAKAWAY ASSEMBLIES (OPTIONAL)

Figure 19

Step 1 Install riser mount (1) using the square U-bolts (2) and the extra thick washer and Nylock nut. Repeat for the remaining riser mounts.

Hardware Kit C

Figure 20

Figure 20 may show more or fewer riser mounts than your installation. The alignment and quantity of the riser mounts will depend on your row spacing.

Figure 21

Step 2 Install riser tube assembly (1) into the riser mount (2).

Step 3 Install pin (3).

Repeat Steps 2 and 3 for the remaining riser tube assemblies.

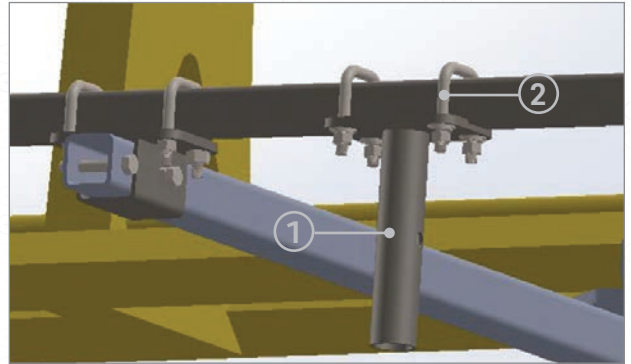


Figure 19

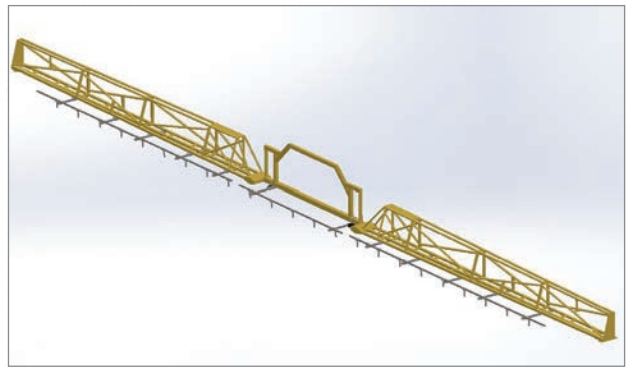


Figure 20

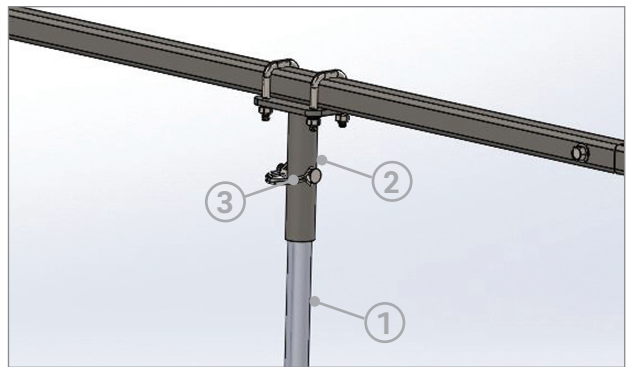


Figure 21

VI. INSTALL SHIELDS AND RISER HOSES

Figure 22

Step 1 Install shield (1) onto riser tube (2).

Figure 23

Step 2 Install base unit (1) onto riser tube (2).

Figure 24

Step 3 Assemble drag hoses (1) to 360 Y-DROP base and secure with hose clamps (2).

Figure 25

Step 4 Note the orientation of the drag hose clamps. The tails should point inward.

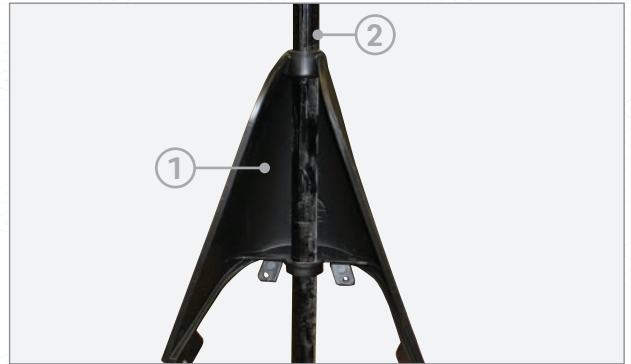


Figure 22

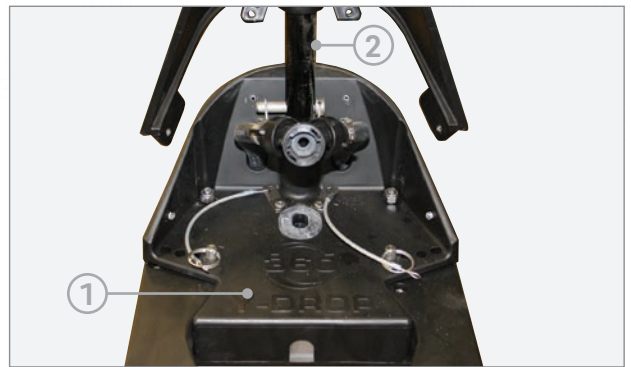


Figure 23

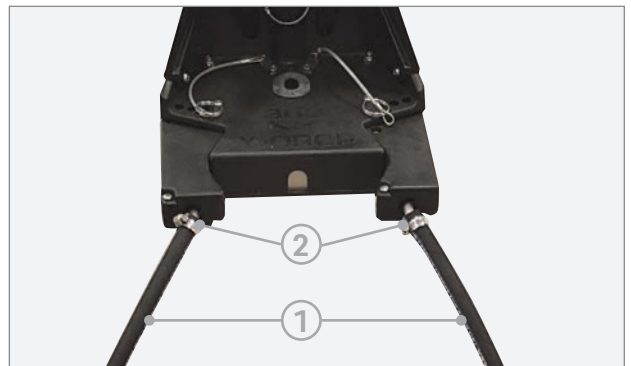


Figure 24



Figure 25

VI. INSTALL SHIELDS AND RISER HOSES *(continued)*

Figure 26



CAUTION: Do NOT use a drill or impact driver for Steps 5 and 6.

Step 5 Install two ½" screws (1).

Step 6 Install two ¾" screws (2).

Step 7 Install rubber washer (3) into the "Y".

Figure 27

Step 8 Install riser hose assembly (1) into the "Y".

Figure 28

Step 9 Route riser hose assembly (1) as shown in Figure 28.

Step 10 Install the riser hose assembly to the OEM nozzle body.

Step 11 Use 3 equally spaced plastic ties to secure the riser hose assembly.

Repeat Steps 1-11 for the remaining 360 Y-DROP Shields.

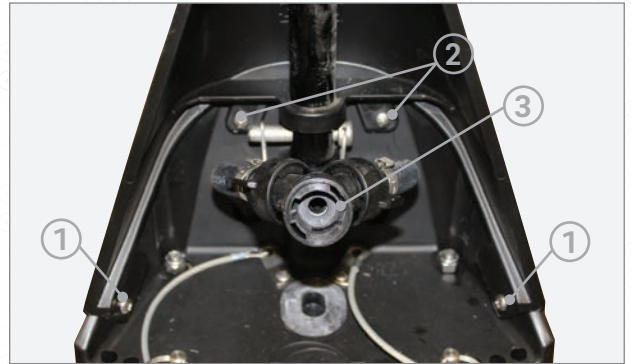


Figure 26



Figure 27

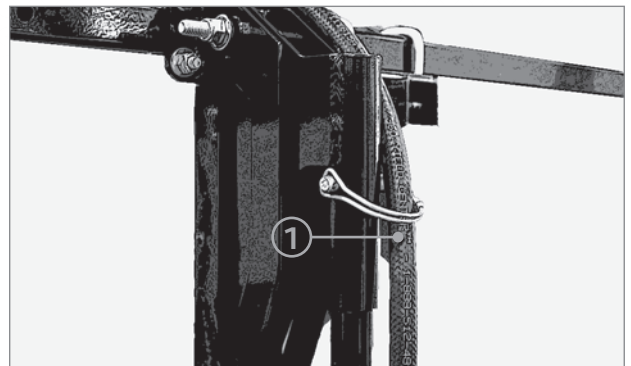


Figure 28

⊕ INSTALLATION COMPLETE.