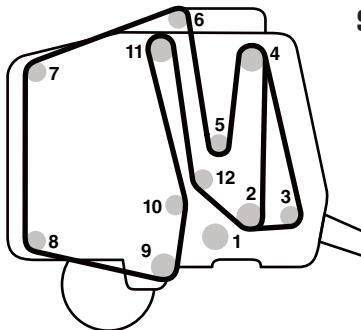


SHOUP® Replacement Bearings for John Deere Round Balers



Key	Order No.	Description	Outer Race O.D.	Outer Race Style	Inner Race I.D.	Inner Race Style	Replaces John Deere No.	
A	SH56606	Bearing	3.150"	Flat	1.250"	Hex	AE46606	
B	SH63290	Bearing	3.543"	Flat	1.250"	Hex	AE53290	
C	SH304893	Bearing	5.118"	Flat	1.750"	Hex	AFH204893	
D	SH50895	Bearing	3.347"	Curved	1.500"	Hex	AE40895	
	SH84826	Flange Set	Use with SH50895 bearing, 85mm square.					
E	SH307783	Bearing with Cast Housing			1.500"	Hex	AFH207783	
F	SH305481	Bearing	5.118"	Flat	1.500"	Hex	AFH205481	

Ordering Keys

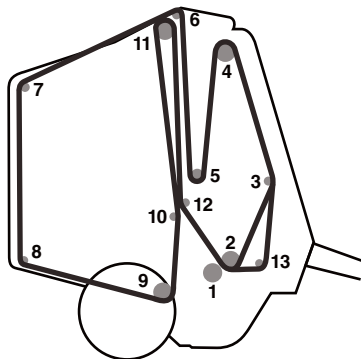
L (left), R (right), other locations use same bearing on left and right side.

Model	Drawing Reference	1	2L	2R	3	4L	4R	5	6	7	8	9	10	11	12	13	
330, 335, 375, 446, 546		D	D	D	A	D	D	A	A	A	A	A	D	A	D	A	-
385		E	D	D	A	D	D	A	A	A	A	A	D	A	E	A	A
430, 435, 530, 535		D	E	E	A	E	E	A	A	A	A	D	A	E	A	A	
447, 547		D	D	D	A	D	D	A	A	A	A	B	A	*	B	-	
448		D	*	*	A	*	*	A	A	A	A	B	A	*	A	-	
449		D	E	-	A	D	-	A	A	A	A	F	A	C	A	-	
456, 556		D	E	E	A	E	E	A	A	A	A	D	A	*	A	A	
456S		D	E	E	A	E	E	A	A	A	A	E	A	*	A	A	
457, 458 Standard, 557		D	*	*	A	*	*	A	A	A	A	B	A	*	A	A	
458, 458S, 558		D	E	-	A	E	-	A	A	A	A	B	A	*	A	A	
459, 459S, 459 Standard, 559, 559S		D	E	-	A	E	-	A	A	A	A	F	A	F	A	A	
466, 566		D	E	E	A	E	E	A	A	A	A	E	A	E	B	A	
467, 567		D	E	E	A	E	E	A	A	A	A	B	A	*	B	A	
468, 468S, 568		D	E	-	A	E	-	A	A	A	A	B	A	*	B	A	
469, 469S, 569, 569S		D	E	-	A	E	-	A	A	A	A	F	A	F	B	A	
469P, 569P		D	E	-	A	E	-	A	A	A	A	C	A	C	B	A	

S (Silage Special), P (Premium)

* Confirm bearing style and bore.

330, 335, 375, 446, 447, 448, 449, 546, 547.



385, 430, 435, 456, 456S, 457, 458, 458S, 459, 459S, 466, 467, 468, 468S, 469, 469P, 469S, 530, 535, 556, 557, 558, 559, 559S, 566, 567, 568, 569, 569P, 569S.