



360 BANDIT™

INSTALLATION INSTRUCTIONS WHITE 9000 MODELS



360YIELDCENTER.COM

FOR QUESTIONS PLEASE CONTACT OUR
PRODUCT SUPPORT TEAM AT 309-300-3120

4.11.23 • V11

All trademarks are the property of 360 Yield Center, its affiliates and/or its licensors. ©2019 360 Yield Center. All rights reserved.



INSTALLATION INSTRUCTIONS

WHITE 9000



BEFORE YOU BEGIN...

HELPFUL TOOLS



Hammer/Mallet

Wrench Sizes: 15/16", 9/16" and 19mm

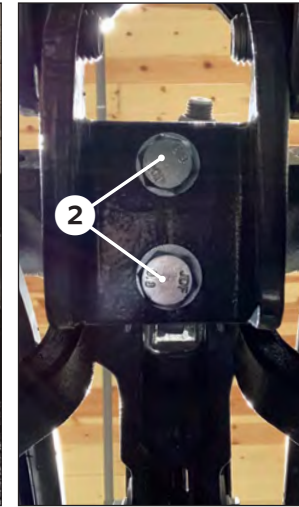
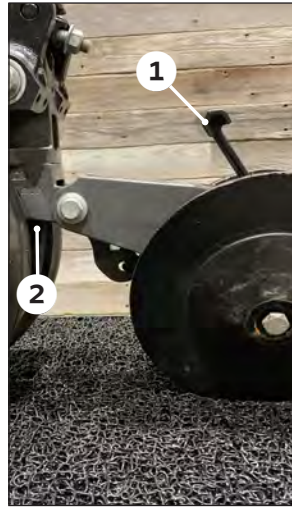
Socket Sizes: 15/16", 9/16", 16mm and 19mm

Impact Driver/ Socket Wrench

Torque Wrench

STEP 1

REMOVE CLOSING SYSTEM



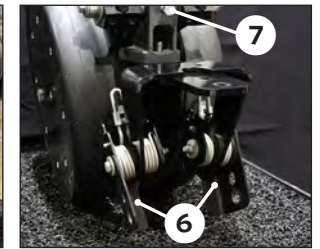
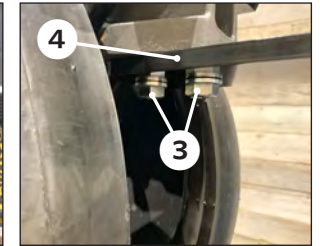
Release spring **1** to remove tension from closing system.

If present, remove insecticide attachment.

Using an 19mm socket and 4" extension, remove and discard the two bolts **2** holding the closing system to the row unit.

STEP 2

INSTALL EXTENSION BRACKET



Using short M12 Bolts **3** install BANDIT extension bracket **4** (with BANDIT arm assembly installation holes to the back) using the closing system holes.

Tighten with 16 mm socket. Torque bolts to 42.2 ft lbs.
Ensure not to over tighten bolts.

Slide the BANDIT arm assembly **5** over the extension bracket. Ensure BANDIT arms **6** are facing the rearward direction.

Remove stop bolt **7** using 19mm socket from the gauge wheel pivot assembly and discard.

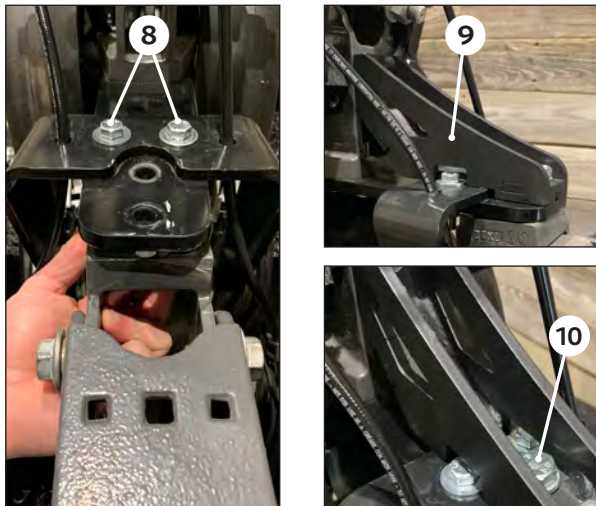
INSTALLATION INSTRUCTIONS

WHITE 9000



STEP 3

INSTALL BANDIT ARM ASSEMBLY & SUPPORT STRAP



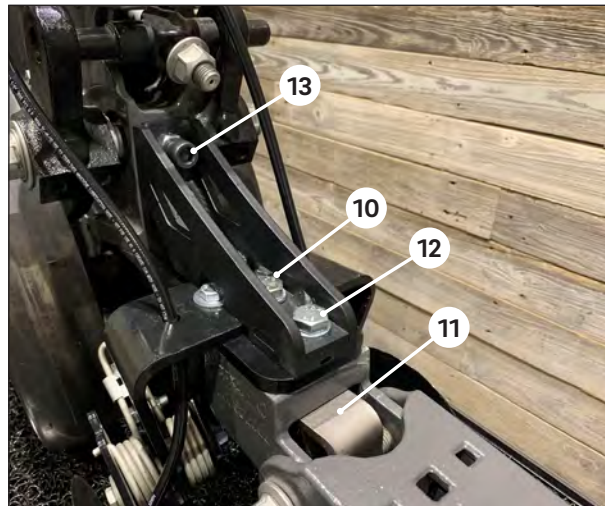
Align BANDIT arm assembly with the back horizontal holes on the extension arm.

Secure the BANDIT arm assembly to the BANDIT extension bracket by inserting (2) 3/8" x 1-1/2" bolts through the bottom and fasten on top with 3/8" flange nuts **8**.

Place the BANDIT support bracket **9** on top of the BANDIT extension bracket. Using one of the long M12 Bolts and a nyloc nut, attach the support bracket and closing system to the second to last back hole in the BANDIT extension bracket **10**.

STEP 4

RE-INSTALL CLOSING SYSTEM



From the underside, maneuver the rock guard **11**, with the guard extension to the rear, around the two side closing system bolts and align the rock guard bracket with the rear most hole in the 360 BANDIT extension bracket.

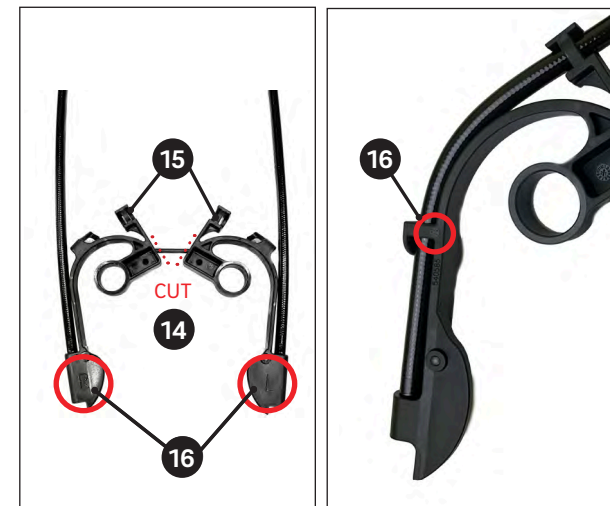
From the top, install the bolt **12** through the support bracket, extension bracket, closing system and rock guard. Secure with provided nut and tighten both bolts with 19 mm socket. Torque bolts to 42.2 ft lbs. **Ensure not to over tighten bolts.**

Thread the nut onto set screw. Install the set screw and nut in to top hole of the new support strap **13** and tighten the screw all the way down into threaded hole. Finally, tighten jam nut against support brace using socket.

NOTE: If pinning up 360 BANDIT disks while running spiked closing wheels, ensure spiked closing wheels are mounted in rear-most hole.

STEP 5

PREPARE HOSE GUIDES



Using side-cutters, cut the two hose guides apart **14**.

Ensure the hose is routed through the top two holes in the hose guide **15**.

Hose guides are labeled "L" left and "R" right. Location of the "L" and "R" marking may vary - see pictures above for an example of each possible marking location **16**.

NOTE: When installing hoseguides on the row unit, left and right are determined from the operators seat.

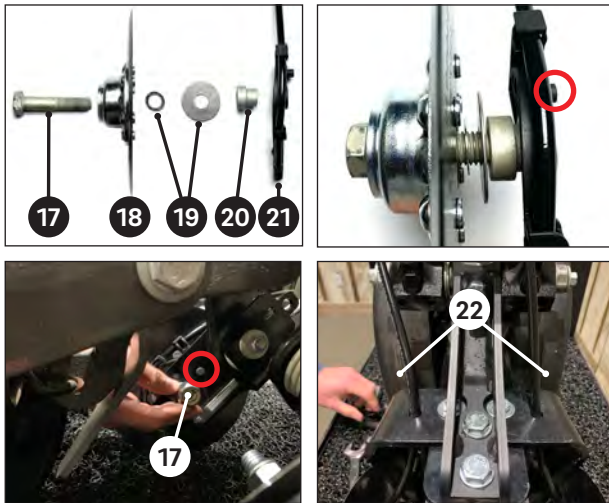
INSTALLATION INSTRUCTIONS

WHITE 9000



STEP 6

INSTALL DISK ASSEMBLIES



NOTE: Provided dust caps are matched with the hubs with which they are packaged. Keep each packaged kit together.

Insert 5/8" X 3" bolt **17** through the disk **18**. Place small shim washer then fender washer **19** over the bolt. Insert bushing **20** (large side first) and hose guide assembly **21** (ear tab facing in).

Slide bolt of the disk assembly into the lower hole on the BANDIT **17**, aligning the ear tab with corresponding upper hole and secure with lock nut.

Tighten with 15/16" socket and wrench. Check to ensure that the disk freely turns. If the disk does not freely turn, back off the lock nut slightly until the disk freely turns.

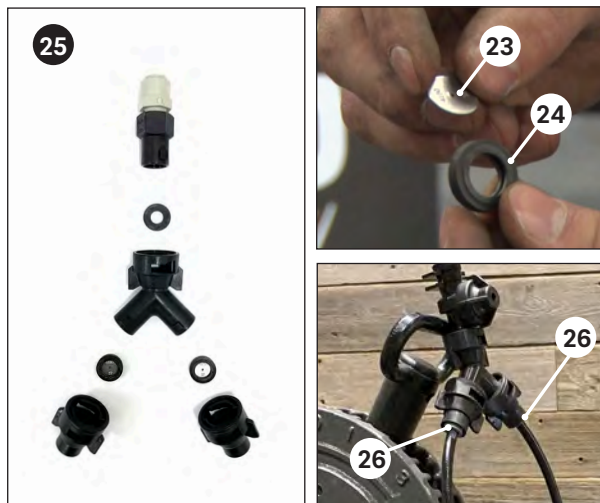
Apply silicone to dust cap. Using a mallet, install dust caps over disk bolt heads.

Route application hose through hole in top of 360 BANDIT frame **22**.

Repeat for other side.

STEP 7

ASSEMBLE PLUMBING



Install orifice plates **23** in the rubber grommets **24**.

Assemble plumbing components in the arrangement shown above **25**.

Attach the plumbing assembly to each of the hoses coming from the house guides **26**.

NOTE: If hoses are not fully seated in the push to connect, they will leak. Hoses seat 7/8" of an inch deep or until you hear a snap.

The supplied push to connect adapter in the 360 BANDIT kit connects to 3/8" push to connect compatible hose.

Secure hoses to row unit with provided zip ties.

INSTALLATION COMPLETE



PLUMBING RECOMMENDATIONS:

To prevent excess fertilizer from dribbling out of the hoses when product application is shut off, install one push to connect polypropylene (Inlet x Outlet) 3/8" O.D. check valve (not included) in the plumbing to each row prior to the 360 BANDIT orifices. Check valve is available at Dultmeier Sales (Item #BUCV1103-P38).

A 50 mesh strainer (not included) can be used in the complete plumbing system between tanks and 360 BANDIT to help prevent debris from blocking orifices.